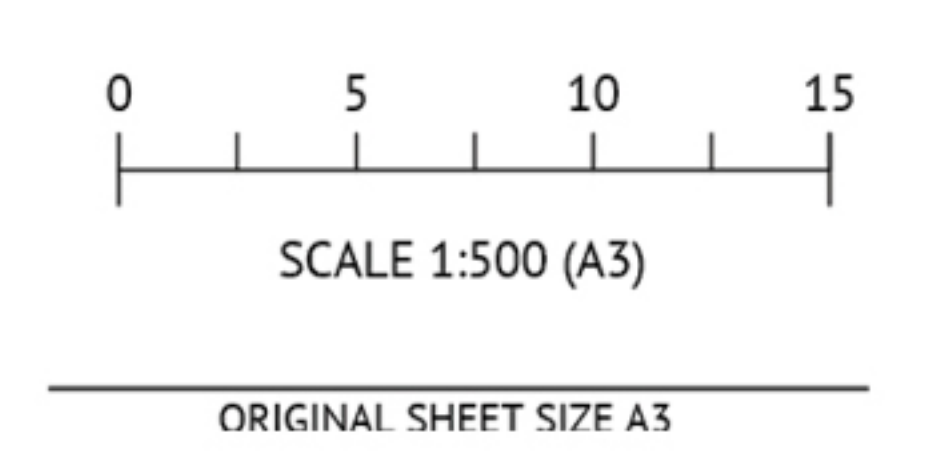


Riverside Stage 64



- Key**
- Riverside Stage 64
 - Existing Subdivision
 - Denotes Subject Boundary
 - Denotes Proposed Lot Boundary
 - Denotes Cadastral Boundary
 - Denotes Easement
 - Denotes Sewer And Access Chamber
 - Denotes Approximate Location Of Sewer & Stormwater Pit
 - Denotes Kerb Outlets



The Masterplan





- 1 VIEW CORRIDOR MAINTAINED FROM ROAD WITH CLEAN TRUNKED HIGH CANOPY TREES
- 2 BOARDWALK THROUGH RIPARIAN VEGETATION
- 3 ACCESS ACROSS LAKE. BRIDGE ACTS AS WATER CONTROL TO UPPER AREA
- 4 GRASS PLANTED OVERLAND FLOW PATHS
- 5 BOARDWALK THROUGH OPEN TREES
- 6 PICNIC AREA TERRACED TO CREATE LOOKOUT
- 7 DECK STAGE ON WATERFRONT
- 8 PATH THROUGH OPEN GRASSLANDS - LENGTH OF PATH TO INCLUDE INTERPRETIVE AREAS
- 9 OPEN PARK / PICNIC AREA
- 10 PLAYGROUND AREA / PICNIC SHELTERS
- 11 MAJOR BBQ / PICNIC FACILITIES ON WATERFRONT DECK
- 12 PUMP STATION SCREENED WITH TREES
- 13 SCULPTURAL ELEMENTS TERMINATE VIEWS FROM THE STREET
- 14 BRIDGE ACROSS LAKE WALL ACTS AS LOOKOUT
- 15 SPILLWAY TO RIVER IN ROCK LINED SWALE
- 16 EMBANKMENT PLANTING WITH ROCKS FORMING LAKE BANK
- 17 INFORMAL BUSH & RIVERINE PLANTING IN OPEN SPACE
- 18 AMENITIES BLOCK FOR SPORTS FIELDS
- 19 SPORTS FIELDS
- 20 PARKING AREA FOR FIELDS - 100 CARS
- 21 DOG CAFE & OFF-LEASH AREA IN PARKLAND
- 22 TERRACED GRASSED & PAVED WATERFRONT PLAZA
- 23 EMBANKMENT PLANTING & BUSH ROCK BOULDERS
- 24 RAINGARDENS / DETENTION BASIN
- 25 BOARDWALK OVER RAINGARDENS
- 26 LAKE
- 27 WILDLIFE CORRIDOR LINKING CREEK TO RIVER
- 28 INFORMAL WALKING TRACK TO NEPEAN RIVER

TWO (02) LOT TORRENS TITLE SUBDIVISION, CONSTRUCTION OF A PEDESTRIAN AND CYCLE PATH & ASSOCIATED SITE WORK; DA 2018/824/1 CORNISH GROUP SPRING FARM PTY LTD FOR CONSTRUCTION CERTIFICATE

| SCHEDULE OF DRAWINGS | |
|----------------------|------------------------------------|
| DRAWING | TITLE |
| C001 | TITLE SHEET & SITE LOCALITY |
| C002 | GENERAL NOTES & TYPICAL SECTIONS |
| C003 | EXISTING SITE LAYOUT PLAN |
| C004 | CIVIL ENGINEERING PLAN |
| C005 | CUT - FILL PLAN |
| C006 | PATH, KERB RETURN LONG SECTIONS |
| C007 | EROSION & SEDIMENT CONTROL PLAN |
| C008 | EROSION & SEDIMENT CONTROL FIGURES |



SITE LOCALITY
NOT TO SCALE

| REV. | DATE | DFTD. | APPD. | DETAILS |
|------|----------|-------|-------|---------------------|
| A | 11/04/19 | KH | MZ | ISSUED FOR APPROVAL |
| B | 09/05/19 | PS | MZ | ISSUED FOR APPROVAL |
| | | | | |
| | | | | |

| FILE | INITIALS | DATE |
|--|----------|----------|
| SURVEY | - | - |
| DESIGN | - | - |
| DRAINS/ HEC-RAS MODELLING | ARB/KH | 10/04/19 |
| ENGINEERING/ SURVEYING/ APPROVAL | MZ | 09/05/19 |

DRAWING SCALE

DO NOT SCALE FROM THESE DRAWINGS. ALL MEASUREMENTS SHALL BE CONFIRMED ON SITE AND WITH GEOLYSE PTY. LTD. PRIOR TO CONSTRUCTION

| | |
|--------------------|--|
| APPROVAL AUTHORITY | CAMDEN COUNCIL |
| CLIENT | CORNISH GROUP SPRING FARM PTY LTD |
| PROJECT | SUBDIVISION OF LOT 6150 DP 122846 SPRING FARM |

GEOLYSE

Part of **Premise**

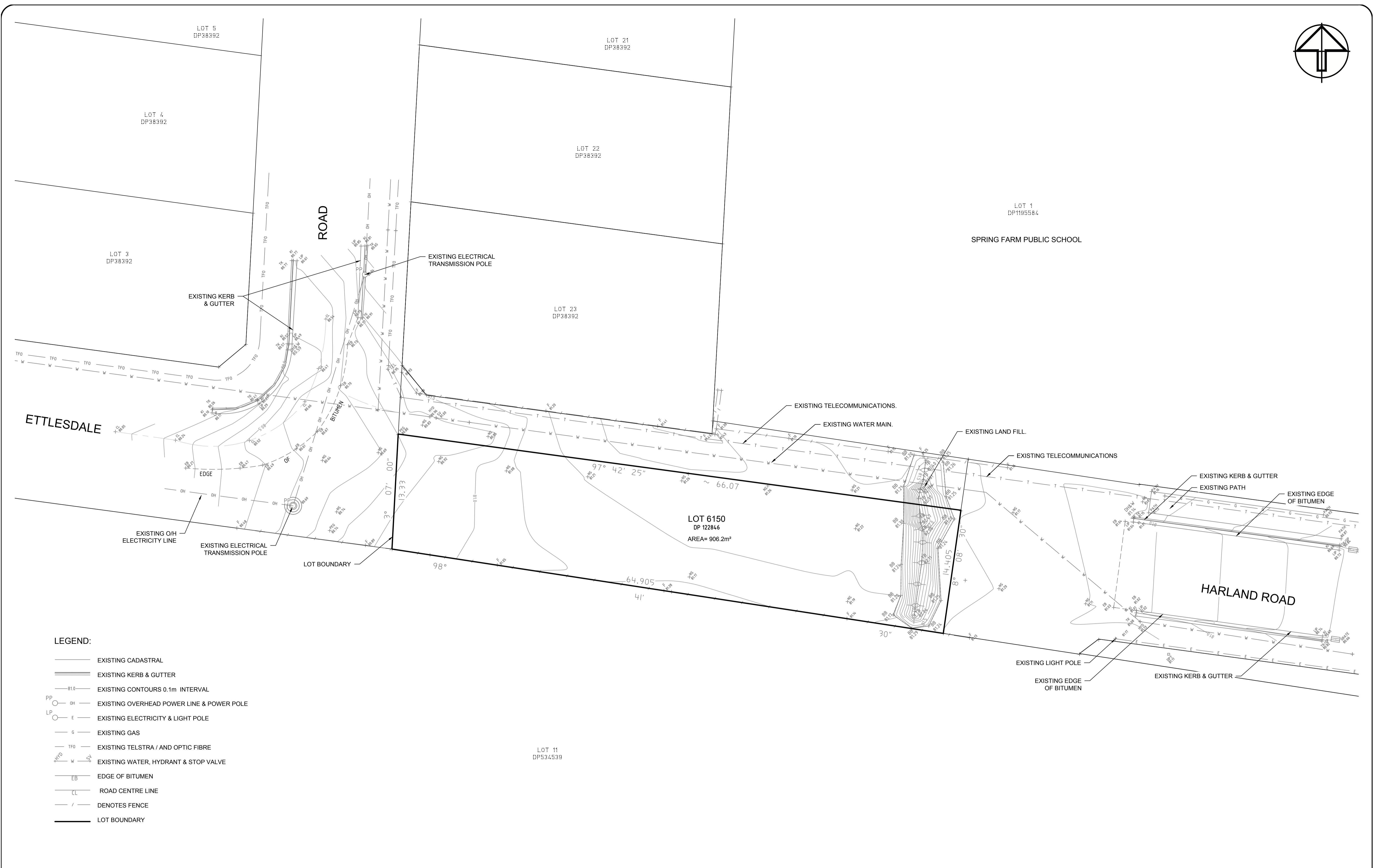
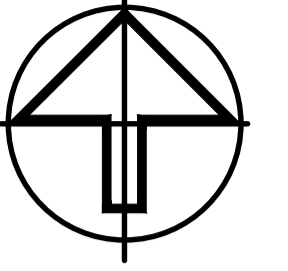
ORAN PARK

oranpark@geolyse.com
www.geolyse.com

SUITE 301, LEVEL 3
ORAN PARK PODIUM
351 ORAN PARK DRIVE
ORAN PARK, NSW 2570
Ph. (02) 4632 6500

| | | | |
|-------------------------------------|---------------------------------------|--------------|-------------------|
| DRAWING TITLE SHEET & SITE LOCALITY | | | |
| PROJECT NUMBER 317087 | DRAWING FILE 317087_05B_C001-C008.dwg | ORIGINAL | |
| SURVEY MARK - | R.L. - | DATUM A.H.D. | |
| IMAGE SOURCE - | STATUS FOR CONSTRUCTION | | SHEET C001 OF 008 |
| | | | 05B |

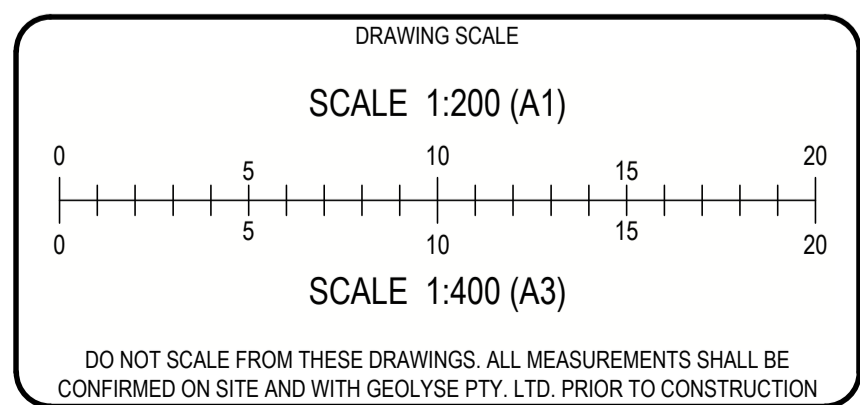
Disclaimer: This is a sales plan only. The dimensions, areas, easements and other details shown on this plan are approximate only and are subject to field survey and the final approvals of Camden Council and servicing authorities. Purchasers should refer to the registered plan of subdivision for final dimensions and other details. Purchasers should examine the full range of easements & restrictions set out in the 883 instrument accompanying the linen plan. Lots may be subject to future services and street landscaping design.



- LEGEND:**
- EXISTING CADASTRAL
 - EXISTING KERB & GUTTER
 - 0.1m INTERVAL
 - PP — OH — EXISTING OVERHEAD POWER LINE & POWER POLE
 - LP — E — EXISTING ELECTRICITY & LIGHT POLE
 - G — EXISTING GAS
 - TFO — EXISTING TELSTRA / AND OPTIC FIBRE
 - W — EXISTING WATER, HYDRANT & STOP VALVE
 - EB — EDGE OF BITUMEN
 - CL — ROAD CENTRE LINE
 - / — DENOTES FENCE
 - LOT BOUNDARY

| REV. | DATE | DFTD. | APPD. | DETAILS |
|------|----------|-------|-------|---------------------|
| A | 11/04/19 | KH | MZ | ISSUED FOR APPROVAL |
| B | 09/05/19 | PS | MZ | ISSUED FOR APPROVAL |
| | | | | |
| | | | | |

| FILE | INITIALS | DATE |
|----------------------------------|----------|----------|
| SURVEY | - | - |
| DESIGN | ARB/KH | 10/04/19 |
| DRAINS/ HEC-RAS MODELLING | - | - |
| ENGINEERING/ SURVEYING/ APPROVAL | MZ | 09/05/19 |



| | |
|--------------------|--|
| APPROVAL AUTHORITY | CAMDEN COUNCIL |
| CLIENT | CORNISH GROUP SPRING FARM PTY LTD |
| PROJECT | SUBDIVISION OF LOT 6150 DP 122846 SPRING FARM |

Part of **Premise**

GEOLYSE

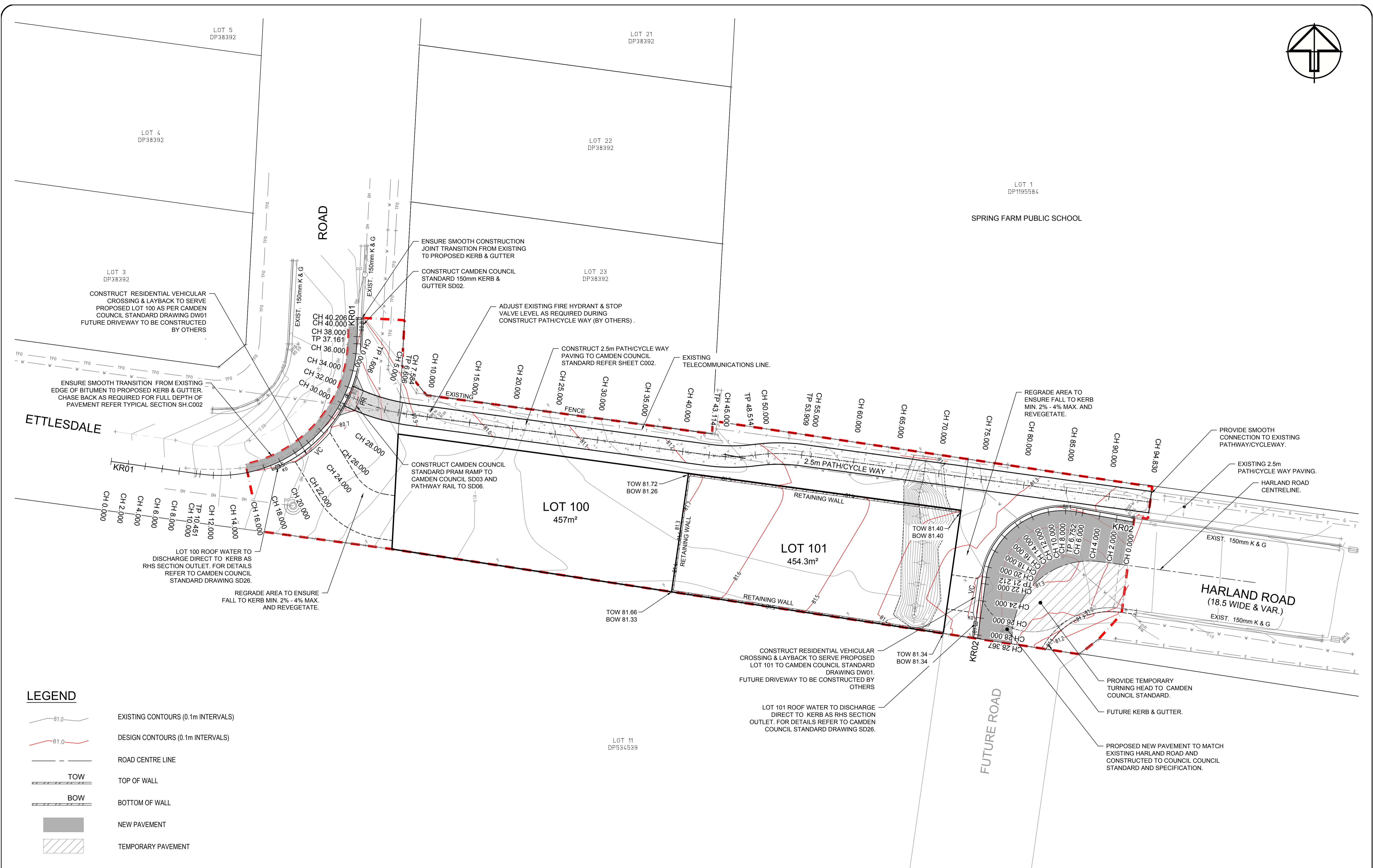
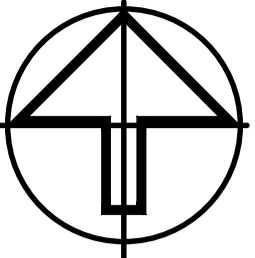
ORAN PARK

oranpark@geolyse.com
www.geolyse.com

SUITE 301, LEVEL 3
ORAN PARK PODIUM
351 ORAN PARK DRIVE
ORAN PARK, NSW 2570
Ph. (02) 4632 6500

| | | | | | |
|-------------------------|---------------------------------------|--------------|---------------------------|--|--|
| DRAWING | | | EXISTING SITE LAYOUT PLAN | | |
| PROJECT NUMBER 317087 | DRAWING FILE 317087_05B_C001-C008.dwg | ORIGINAL | A1 | | |
| SURVEY MARK - | R.L. - | DATUM A.H.D. | SET | | |
| STATUS FOR CONSTRUCTION | SHEET C003 OF 008 | 05B | | | |

Disclaimer: This is a sales plan only. The dimensions, areas, easements and other details shown on this plan are approximate only and are subject to future survey and the final approvals of Camden Council and servicing authorities. Purchasers should refer to the registered plan of subdivision for final dimensions and other details. Purchasers should examine the full range of easements & restrictions set out in the 888 instrument accompanying the linen plan. Lots may be subject to future services and street landscaping design.



LEGEND

- EXISTING CONTOURS (0.1m INTERVALS)
- DESIGN CONTOURS (0.1m INTERVALS)
- ROAD CENTRE LINE
- TOP OF WALL
- BOTTOM OF WALL
- NEW PAVEMENT
- TEMPORARY PAVEMENT

| REV. | DATE | DFTD. | APPD. | DETAILS |
|------|----------|-------|-------|---------------------|
| A | 11/04/19 | KH | MZ | ISSUED FOR APPROVAL |
| B | 09/05/19 | PS | MZ | ISSUED FOR APPROVAL |

| FILE | INITIALS | DATE |
|---------------------------------|----------|----------|
| SURVEY | - | - |
| DESIGN | - | - |
| DRAINS/ HEC-RAS MODELLING | ARB/KH | 10/04/19 |
| ENGINEERING/ SURVEYING APPROVAL | MZ | 09/05/19 |

DRAWING SCALE

SCALE 1:200 (A1)

SCALE 1:400 (A3)

DO NOT SCALE FROM THESE DRAWINGS. ALL MEASUREMENTS SHALL BE CONFIRMED ON SITE AND WITH GEOLYSE PTY. LTD. PRIOR TO CONSTRUCTION

APPROVAL AUTHORITY: CAMDEN COUNCIL

CLIENT: CORNISH GROUP SPRING FARM PTY LTD

PROJECT: SUBDIVISION OF LOT 6150 DP 122846 SPRING FARM

GEOLYSE

Part of **Premise**

ORAN PARK

oranpark@geolyse.com
www.geolyse.com

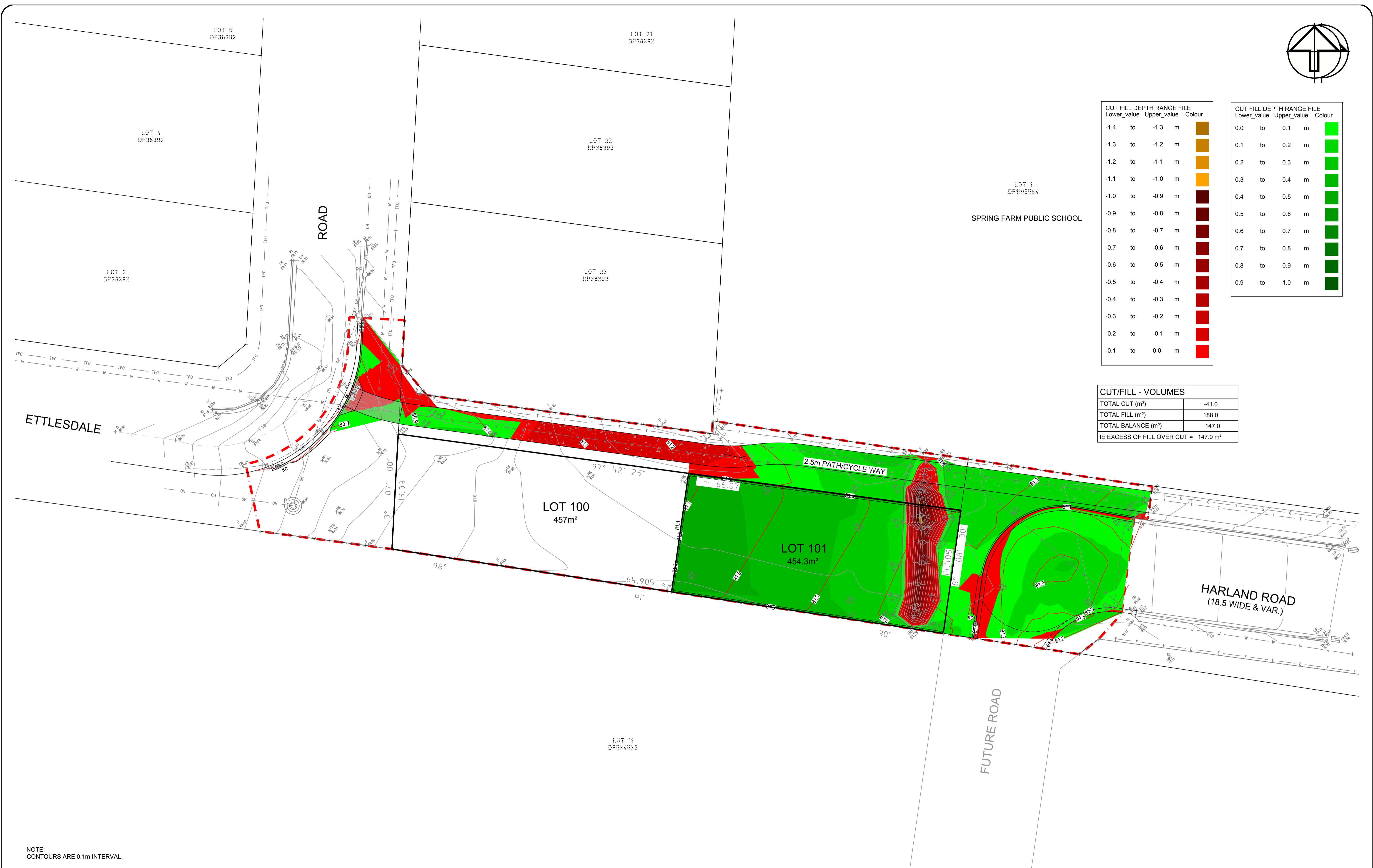
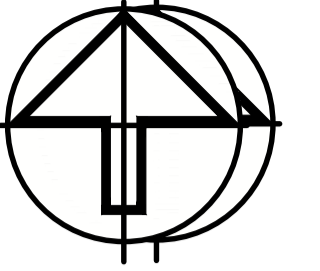
SUITE 301, LEVEL 3
ORAN PARK PODIUM
351 ORAN PARK DRIVE
ORAN PARK, NSW 2570
Ph. (02) 4632 6500

DRAWING: CIVIL ENGINEERING PLAN

PROJECT NUMBER: 317087 | DRAWING FILE: 317087_05B_C001-C008.dwg | ORIGINAL: A1

STATUS: FOR CONSTRUCTION | SHEET: C004 OF 008 | SET: 05B

Disclaimer: This is a sales plan only. The dimensions, areas, easements and other details shown on this plan are approximate only and are subject to field survey and the final approvals of Camden Council and servicing authorities. Purchasers should refer to the registered plan of subdivision for final dimensions and other details. Purchasers should examine the full range of easements & restrictions set out in the 88B instrument accompanying the linen plan. Lots may be subject to future services and street landscaping design.



| Lower_value | Upper_value | Colour |
|-------------|-------------|--------------|
| -1.4 | -1.3 | Dark Brown |
| -1.3 | -1.2 | Medium Brown |
| -1.2 | -1.1 | Light Brown |
| -1.1 | -1.0 | Yellow |
| -1.0 | -0.9 | Dark Red |
| -0.9 | -0.8 | Red |
| -0.8 | -0.7 | Dark Red |
| -0.7 | -0.6 | Red |
| -0.6 | -0.5 | Dark Red |
| -0.5 | -0.4 | Red |
| -0.4 | -0.3 | Dark Red |
| -0.3 | -0.2 | Red |
| -0.2 | -0.1 | Dark Red |
| -0.1 | 0.0 | Red |

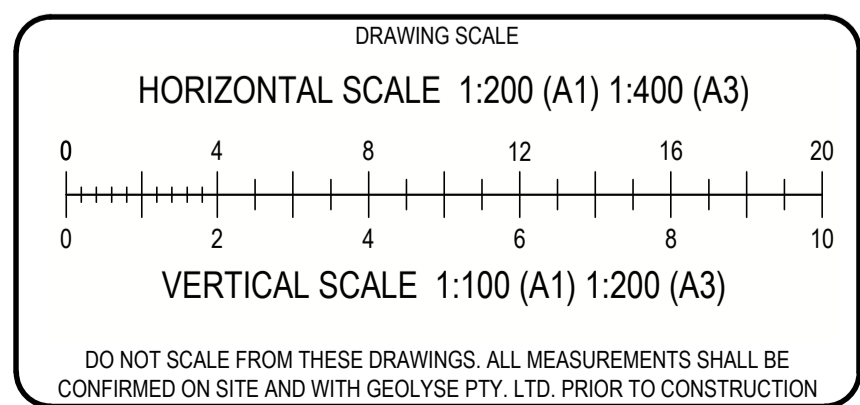
| Lower_value | Upper_value | Colour |
|-------------|-------------|-------------|
| 0.0 | 0.1 | Light Green |
| 0.1 | 0.2 | Light Green |
| 0.2 | 0.3 | Light Green |
| 0.3 | 0.4 | Light Green |
| 0.4 | 0.5 | Light Green |
| 0.5 | 0.6 | Light Green |
| 0.6 | 0.7 | Light Green |
| 0.7 | 0.8 | Light Green |
| 0.8 | 0.9 | Light Green |
| 0.9 | 1.0 | Light Green |

| CUT/FILL - VOLUMES | |
|---------------------------------------|-------|
| TOTAL CUT (m³) | -41.0 |
| TOTAL FILL (m³) | 188.0 |
| TOTAL BALANCE (m³) | 147.0 |
| IE EXCESS OF FILL OVER CUT = 147.0 m³ | |

NOTE:
CONTOURS ARE 0.1m INTERVAL.

| REV. | DATE | DFTD. | APPD. | DETAILS |
|------|----------|-------|-------|---------------------|
| A | 11/04/19 | KH | MZ | ISSUED FOR APPROVAL |
| B | 09/05/19 | PS | MZ | ISSUED FOR APPROVAL |

| FILE | INITIALS | DATE |
|--|----------|----------|
| SURVEY | - | - |
| DESIGN | - | - |
| DRAINS/ HEC-RAS MODELLING | ARB/KH | 10/04/19 |
| ENGINEERING/ SURVEYING/ APPROVAL | MZ | 09/05/19 |



| | |
|--------------------|--|
| APPROVAL AUTHORITY | CAMDEN COUNCIL |
| CLIENT | CORNISH GROUP SPRING FARM PTY LTD |
| PROJECT | SUBDIVISION OF LOT 6150 DP 122846 SPRING FARM |

Part of **Premise**

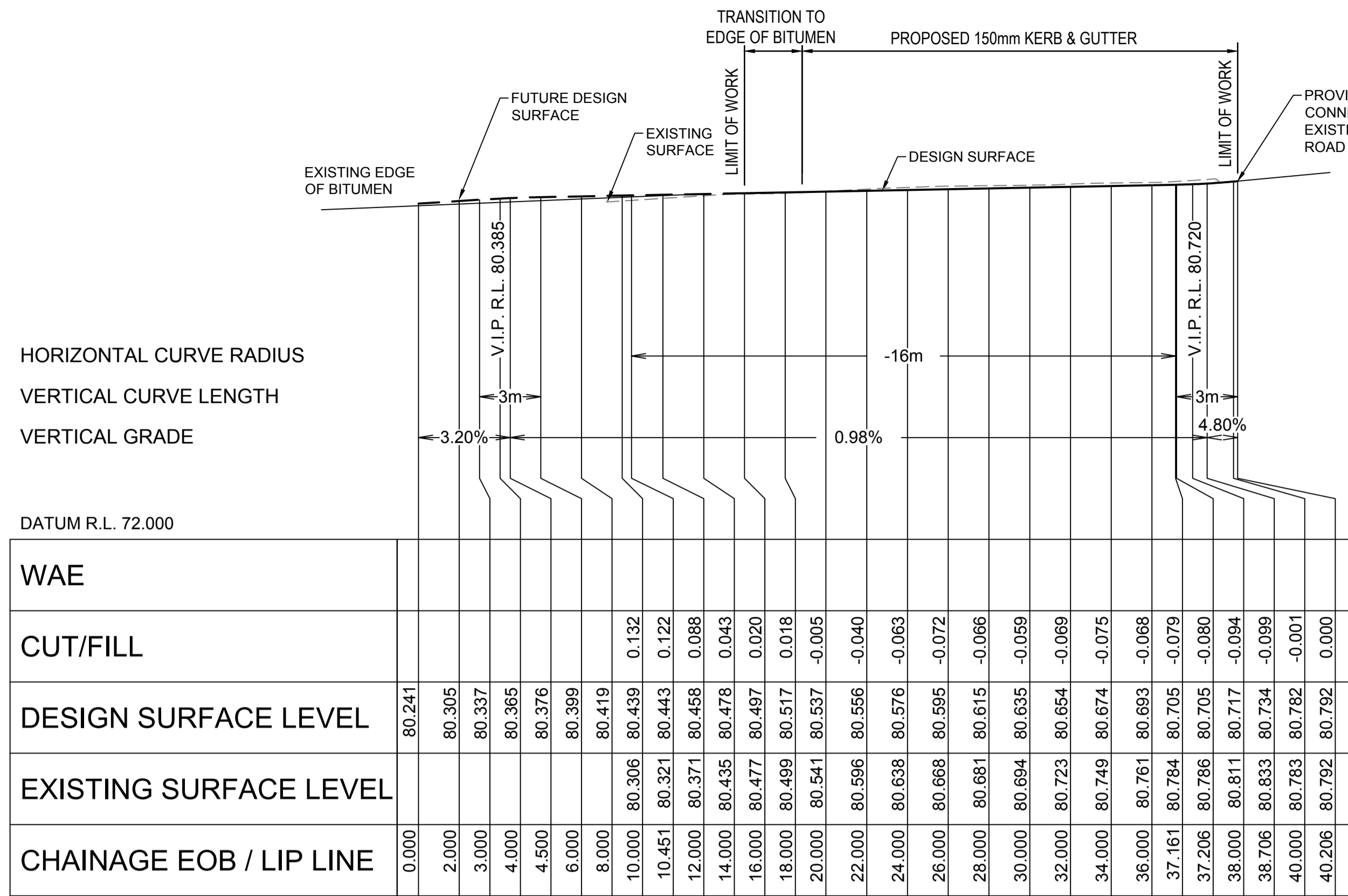
ORAN PARK

oranpark@geolyse.com
www.geolyse.com

SUITE 301, LEVEL 3
ORAN PARK PODIUM
351 ORAN PARK DRIVE
ORAN PARK, NSW 2570
Ph. (02) 4632 6500

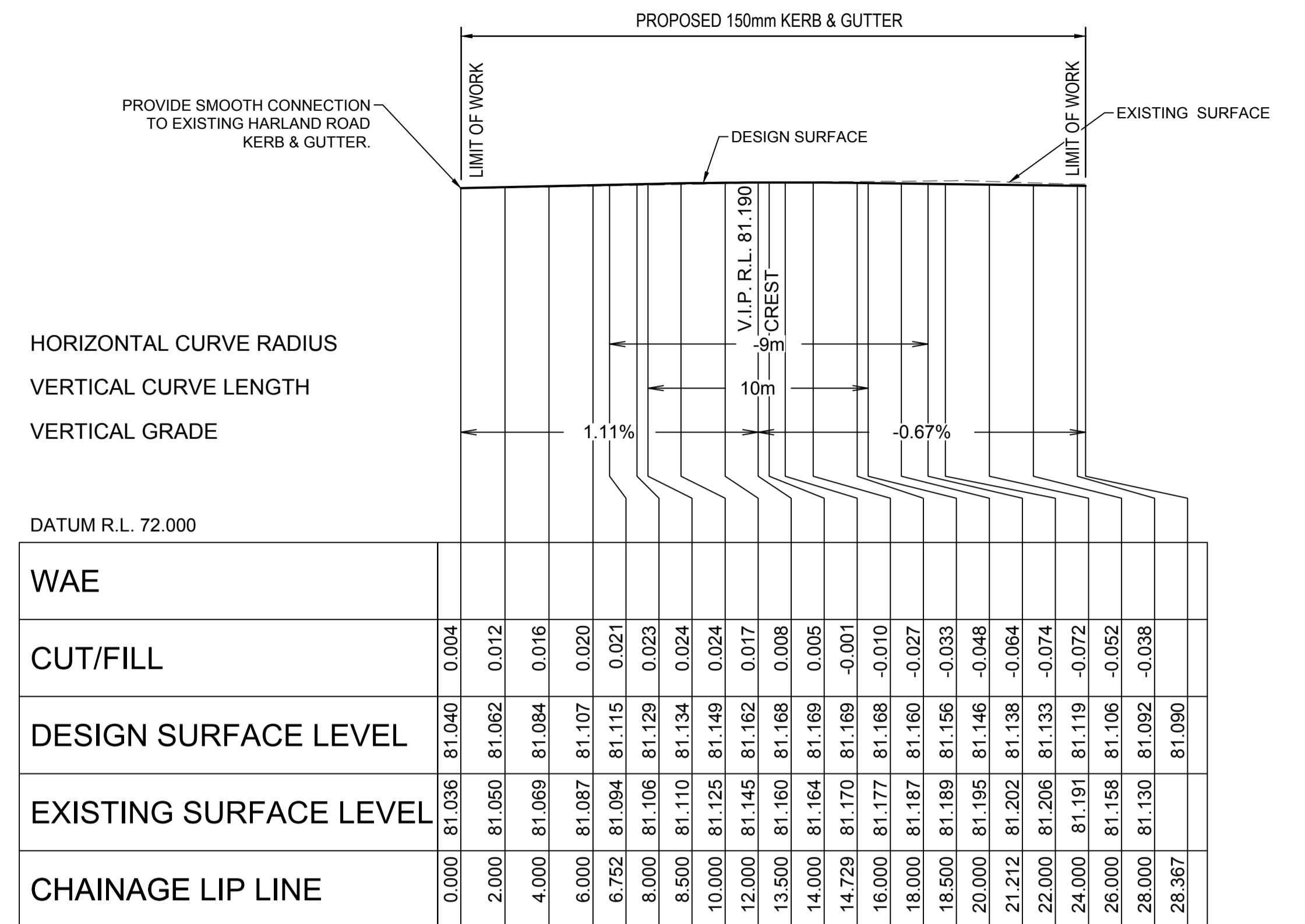
| DRAWING | | |
|-------------------------|---------------------------------------|--------------|
| CUT - FILL PLAN | | |
| PROJECT NUMBER 317087 | DRAWING FILE 317087_05B_C001-C008.dwg | ORIGINAL |
| SURVEY MARK - | R.L. - | DATUM A.H.D. |
| IMAGE SOURCE - | | SET |
| STATUS FOR CONSTRUCTION | SHEET C005 OF 008 | 05B |

Disclaimer: This is a sales plan only. The dimensions, areas, easements and other details shown on and are approximate only and are subject to field survey and the final approvals of Camden Council and servicing authorities. Purchasers should refer to the registered plan of subdivision for final dimensions and other details. Purchasers should examine the full range of easements & restrictions set out in the 688 instrument accompanying the linen plan. Lots may be subject to future services and street landscaping design.



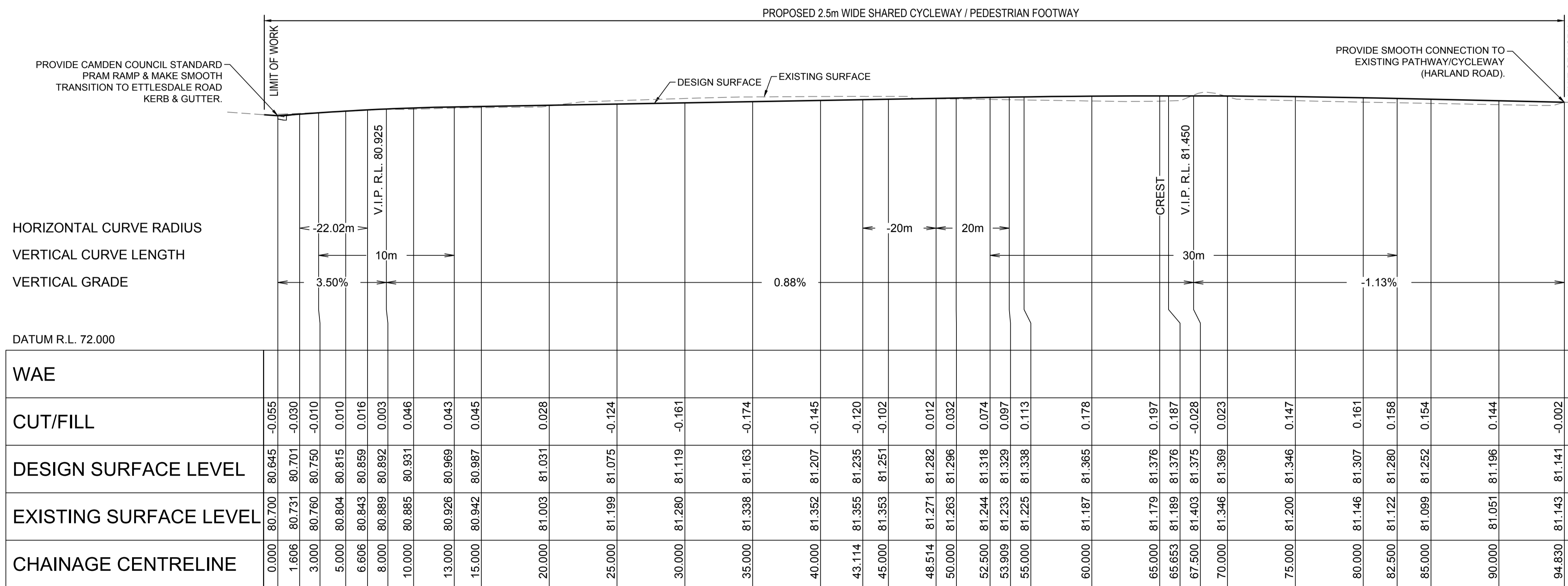
LONGITUDINAL SECTION - KR01

SCALE 1: 200 (HORIZONTAL) A1; 1: 400 (HORIZONTAL) A3
1: 100 (VERTICAL) A1; 1:200 (VERTICAL) A3



LONGITUDINAL SECTION - KR02

SCALE 1: 200 (HORIZONTAL) A1; 1: 400 (HORIZONTAL) A3
1: 100 (VERTICAL) A1; 1:200 (VERTICAL) A3

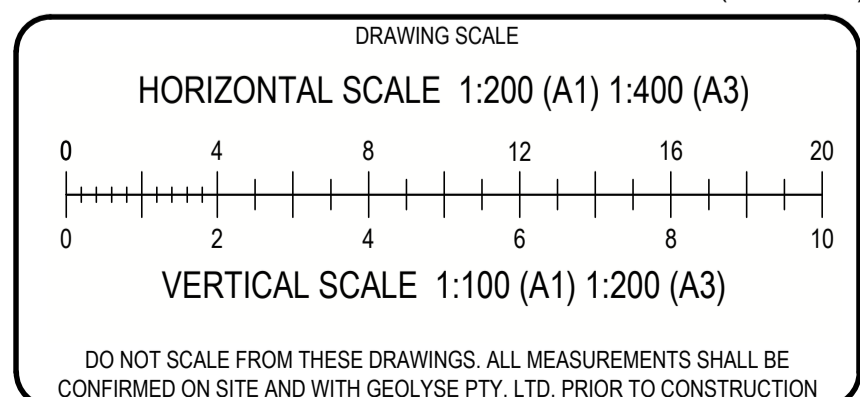


LONGITUDINAL SECTION - PATH 01

SCALE 1: 200 (HORIZONTAL) A1; 1: 400 (HORIZONTAL) A3
1: 100 (VERTICAL) A1; 1:200 (VERTICAL) A3

| REV. | DATE | DFTD. | APPD. | DETAILS |
|------|----------|-------|-------|---------------------|
| A | 11/04/19 | KH | MZ | ISSUED FOR APPROVAL |
| B | 09/05/19 | PS | MZ | ISSUED FOR APPROVAL |

| FILE | INITIALS | DATE |
|---------------------------------|----------|----------|
| SURVEY | - | - |
| DESIGN | - | - |
| DRAINS/ HEC-RAS MODELLING | ARB/KH | 10/04/19 |
| ENGINEERING/ SURVEYING APPROVAL | MZ | 09/05/19 |



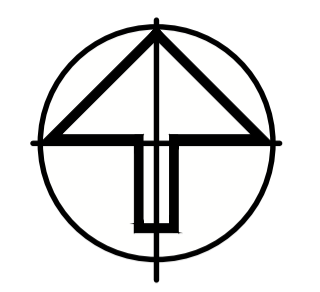
| | |
|--------------------|---|
| APPROVAL AUTHORITY | CAMDEN COUNCIL |
| CLIENT | CORNISH GROUP SPRING FARM PTY LTD |
| PROJECT | SUBDIVISION OF LOT 6150 DP 122846 SPRING FARM |

GEOLYSE
Part of **Premise**
ORAN PARK
oranpark@geolyse.com
www.geolyse.com

SUITE 301, LEVEL 3
ORAN PARK PODIUM
351 ORAN PARK DRIVE
ORAN PARK, NSW 2570
Ph. (02) 4632 6500

| | | | |
|----------------|------------------|---------------------------------|--------------------------|
| DRAWING | | PATH, KERB RETURN LONG SECTIONS | |
| PROJECT NUMBER | 317087 | DRAWING FILE | 317087_05B_C001-C008.dwg |
| SURVEY MARK | - | R.L. | - |
| IMAGE SOURCE | - | DATUM | A.H.D. |
| STATUS | FOR CONSTRUCTION | SHEET | C006 OF 008 |
| ORIGINAL | A1 | SET | 05B |

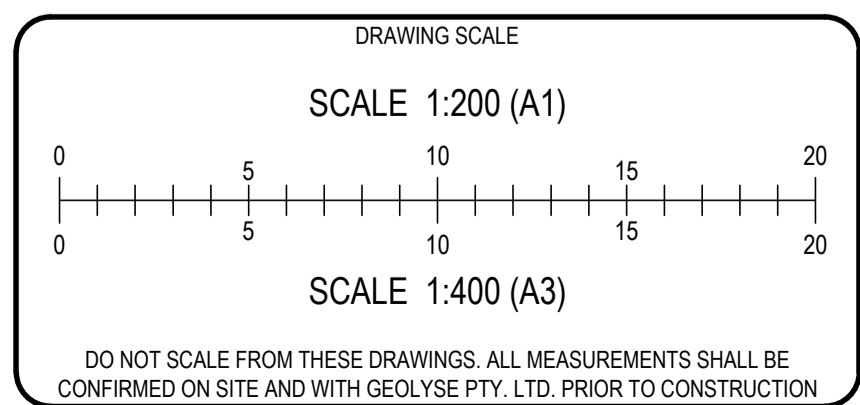
Disclaimer: This is a sales plan only. The dimensions, areas, easements and other details shown on this plan are approximate only and are subject to field survey and the final approvals of Camden Council and servicing authorities. Purchasers should refer to the registered plan of subdivision for final dimensions and other details. Purchasers should examine the full range of easements & restrictions set out in the 88B instrument accompanying the linen plan. Lots may be subject to future services and street landscaping design.



- LEGEND**
- LIMIT OF CLEARING & GRADING
 - SEDIMENT FENCE IN ACCORDANCE WITH FIGURE SD 6-8 FROM THE LANDCOM SOILS AND CONSTRUCTION MANUAL.
 - MESH AND GRAVEL INLET FILTER IN ACCORDANCE WITH FIGURE SD 6-11 FROM THE LANDCOM SOILS AND CONSTRUCTION MANUAL.
 - DISTURBED AREA
 - STABILISED SITE ACCESS IN ACCORDANCE WITH FIGURE SD 6-14 FROM THE LANDCOM SOILS AND CONSTRUCTION MANUAL.

| REV. | DATE | DFTD. | APPD. | DETAILS |
|------|----------|-------|-------|---------------------|
| A | 11/04/19 | KH | MZ | ISSUED FOR APPROVAL |
| B | 09/05/19 | PS | MZ | ISSUED FOR APPROVAL |
| | | | | |
| | | | | |

| FILE | INITIALS | DATE |
|--|----------|----------|
| SURVEY | - | - |
| DESIGN | - | - |
| DRAINS/ HEC-RAS MODELLING | ARB/KH | 10/04/19 |
| ENGINEERING/ SURVEYING/ APPROVAL | MZ | 09/05/19 |



| | |
|--------------------|--|
| APPROVAL AUTHORITY | CAMDEN COUNCIL |
| CLIENT | CORNISH GROUP SPRING FARM PTY LTD |
| PROJECT | SUBDIVISION OF LOT 6150 DP 122846 SPRING FARM |

Part of **Premise**

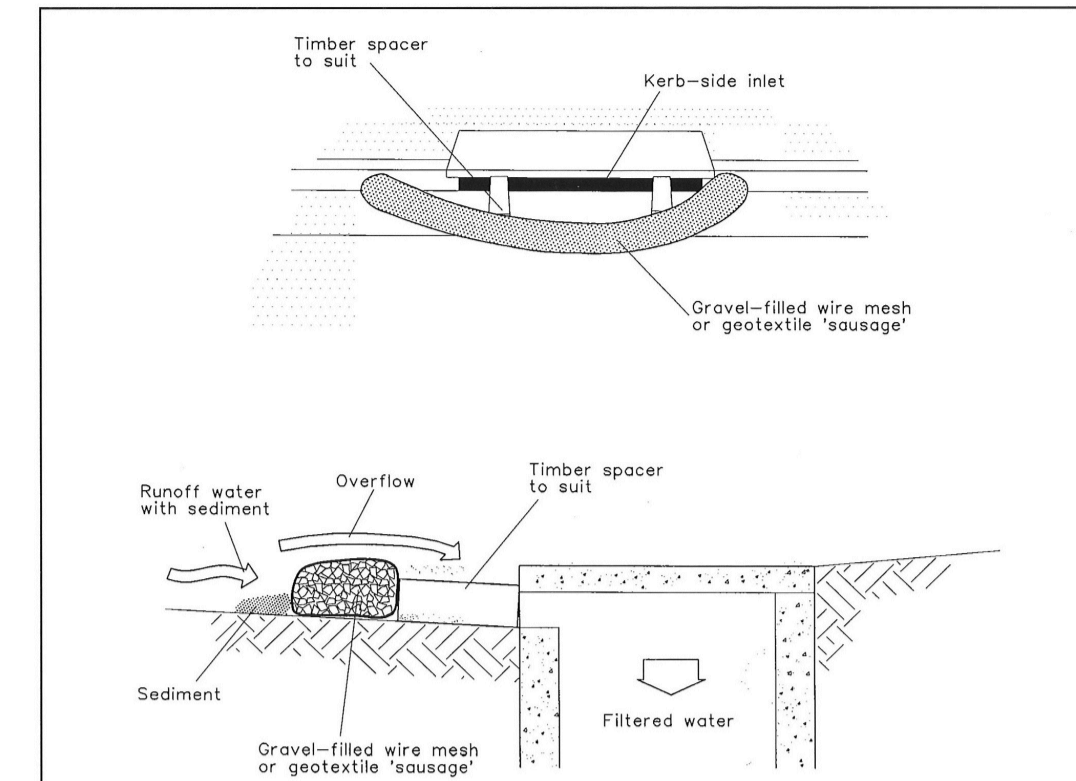
GEOLYSE

ORAN PARK

oranpark@geolyse.com
www.geolyse.com

SUITE 301, LEVEL 3
ORAN PARK PODIUM
351 ORAN PARK DRIVE
ORAN PARK, NSW 2570
Ph. (02) 4632 6500

| | | | |
|--|---------------------------------------|-------------------|---------|
| DRAWING | | | |
| EROSION & SEDIMENT CONTROL PLAN | | | |
| PROJECT NUMBER 317087 | DRAWING FILE 317087_05B_C001-C008.dwg | ORIGINAL | A1 |
| SURVEY MARK - | R.L. - | DATUM | A.H.D. |
| IMAGE SOURCE - | STATUS FOR CONSTRUCTION | SHEET C007 OF 008 | SET 05B |



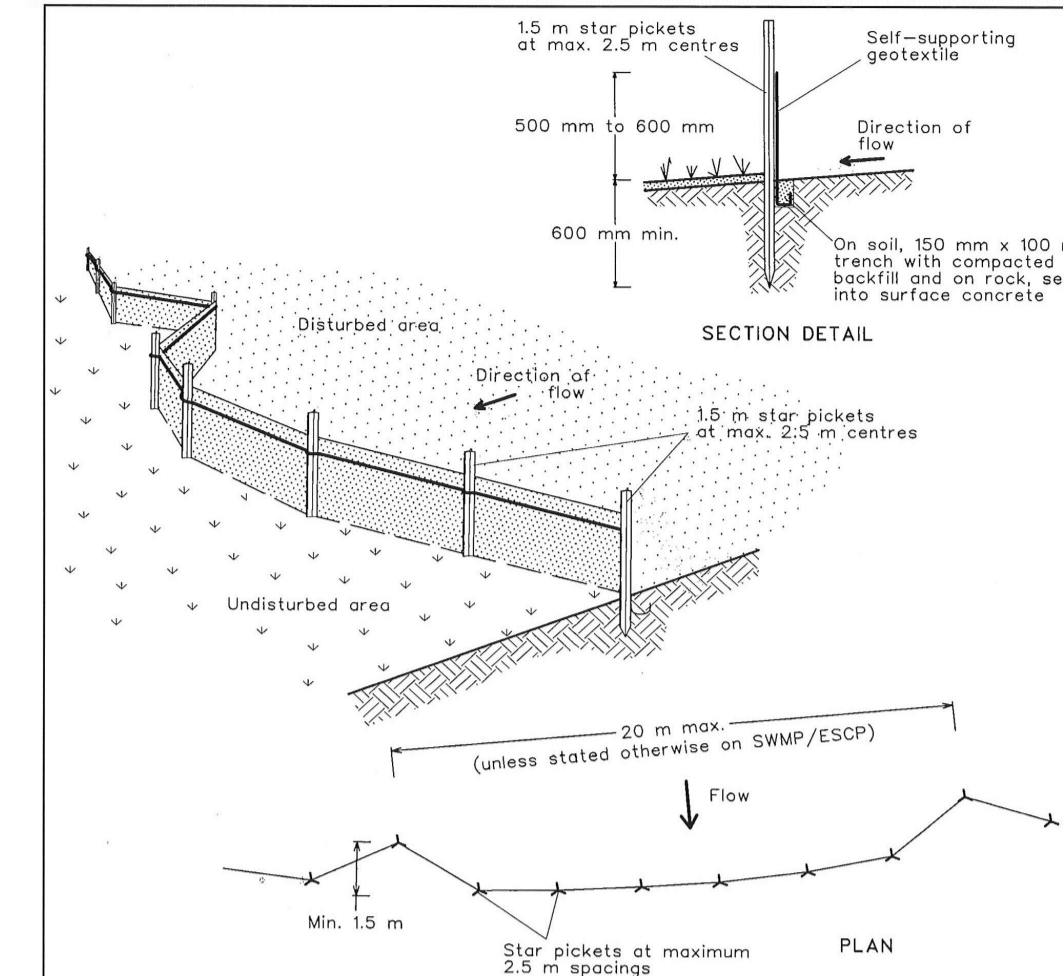
NOTE: This practice only to be used where specified in an approved SWMP/ESCP.

Construction Notes

1. Install filters to kerb inlets only at sag points.
2. Fabricate a sieve made from geotextile or wire mesh longer than the length of the inlet pit and fill it with 25 mm to 50 mm gravel.
3. Form an elliptical cross-section about 150 mm high x 400 mm wide.
4. Place the filter at the opening leaving at least a 100-mm space between it and the kerb inlet. Maintain the opening with spacer blocks.
5. Form a seal with the kerb to prevent sediment bypassing the filter.
6. Sandbags filled with gravel can substitute for the mesh or geotextile providing they are placed so that they firmly abut each other and sediment-laden waters cannot pass between.

MESH AND GRAVEL INLET FILTER

SD 6-11

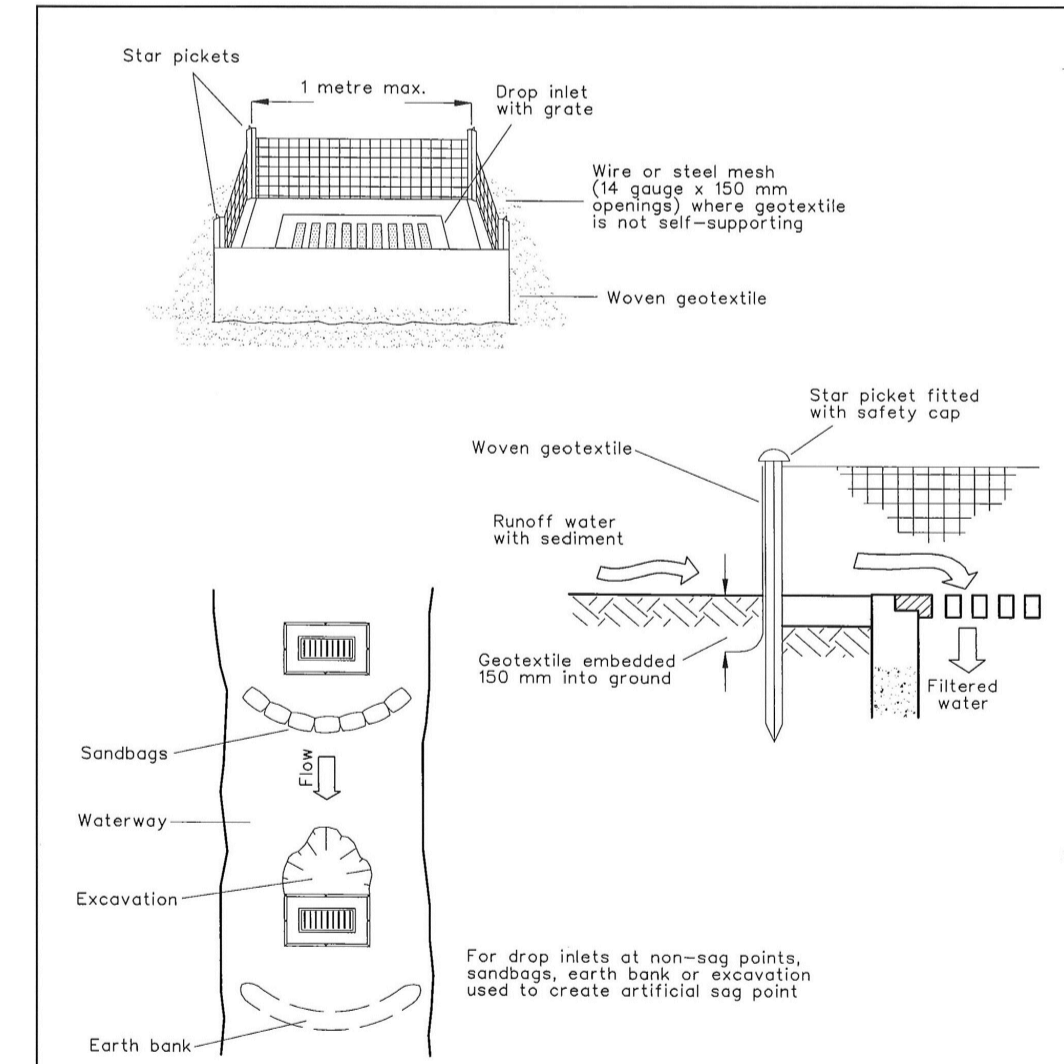


Construction Notes

1. Construct sediment fences as close as possible to being parallel to the contours of the site, but with small returns as shown in the drawing to limit the catchment area of any one section. The catchment area should be small enough to limit water flow if concentrated at one point to 50 litres per second in the design storm event, usually the 10-year event.
2. Cut a 150-mm deep trench along the upslope line of the fence for the bottom of the fabric to be entrenched.
3. Drive 1.5 metre long star pickets into ground at 2.5 metre intervals (max) at the downslope edge of the trench. Ensure any star pickets are fitted with safety caps.
4. Fix self-supporting geotextile to the upslope side of the posts ensuring it goes to the base of the trench. Fix the geotextile with wire ties or as recommended by the manufacturer. Only use geotextile specifically produced for sediment fencing. The use of shade cloth for this purpose is not satisfactory.
5. Join sections of fabric at a support post with a 150-mm overlap.
6. Backfill the trench over the base of the fabric and compact it thoroughly over the geotextile.

SEDIMENT FENCE

SD 6-8

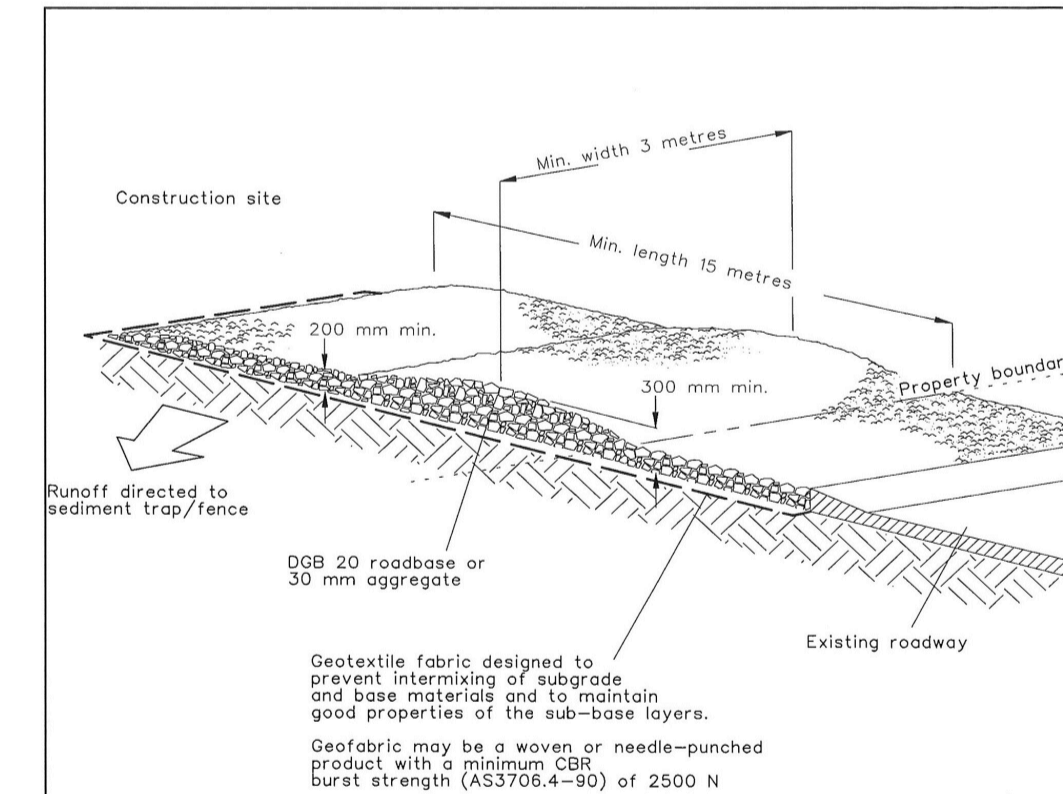


Construction Notes

1. Fabricate a sediment barrier made from geotextile or straw bales.
2. Follow Standard Drawing 6-7 and Standard Drawing 6-8 for installation procedures for the straw bales or geofabric. Reduce the picket spacing to 1 metre centres.
3. In waterways, artificial sag points can be created with sandbags or earth banks as shown in the drawing.
4. Do not cover the inlet with geotextile unless the design is adequate to allow for all waters to bypass it.

GEOTEXTILE INLET FILTER

SD 6-12



Construction Notes

1. Strip the topsoil, level the site and compact the subgrade.
2. Cover the area with needle-punched geotextile.
3. Construct a 200-mm thick pad over the geotextile using road base or 30-mm aggregate.
4. Ensure the structure is at least 15 metres long or to building alignment and at least 3 metres wide.
5. Where a sediment fence joins onto the stabilised access, construct a hump in the stabilised access to divert water to the sediment fence.

STABILISED SITE ACCESS

SD 6-14

| REV. | DATE | DFTD. | APPD. | DETAILS |
|------|----------|-------|-------|---------------------|
| A | 11/04/19 | KH | MZ | ISSUED FOR APPROVAL |
| B | 09/05/19 | PS | MZ | ISSUED FOR APPROVAL |
| | | | | |
| | | | | |
| | | | | |

| | FILE | INITIALS | DATE |
|--|------|----------|----------|
| SURVEY | - | - | - |
| DESIGN | - | ARB/KH | 10/04/19 |
| DRAINS/ HCC-RAS MODELLING | - | - | - |
| ENGINEERING/ SURVEYING/ APPROVAL | - | MZ | 09/05/19 |

DRAWING SCALE

DO NOT SCALE FROM THESE DRAWINGS. ALL MEASUREMENTS SHALL BE CONFIRMED ON SITE AND WITH GEOLYSE PTY. LTD. PRIOR TO CONSTRUCTION

| | |
|--------------------|--|
| APPROVAL AUTHORITY | CAMDEN COUNCIL |
| CLIENT | CORNISH GROUP SPRING FARM PTY LTD |
| PROJECT | SUBDIVISION OF LOT 6150 DP 122846 SPRING FARM |

GEOLYSE
Part of **Premise**
ORAN PARK
oranpark@geolyse.com
www.geolyse.com

SUITE 301, LEVEL 3
ORAN PARK PODIUM
351 ORAN PARK DRIVE
ORAN PARK, NSW 2570
Ph. (02) 4632 6500

| | | | |
|---|---------------------------------------|-------------------|---------|
| DRAWING | | | |
| EROSION & SEDIMENT CONTROL FIGURES | | | |
| PROJECT NUMBER 317087 | DRAWING FILE 317087_05B_C001-C008.dwg | ORIGINAL | A1 |
| SURVEY MARK - | R.L. - | DATUM | A.H.D. |
| IMAGE SOURCE - | STATUS FOR CONSTRUCTION | SHEET C008 OF 008 | SET 05B |